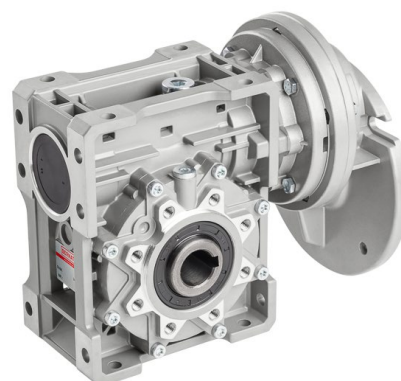


Data Sheet

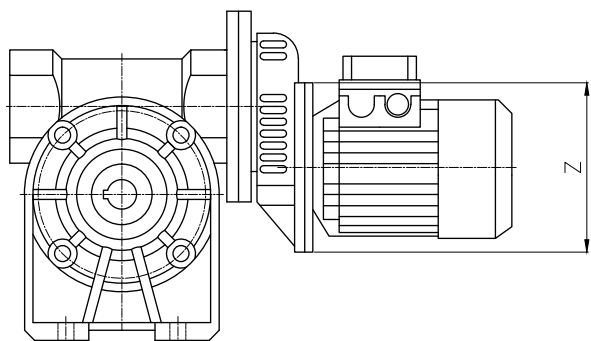
BV Series - BVPC Type - 71

| Type | SIZE | i= | PAM |
|-------------|------|----|------|
| BVPC | 63 | 3 | 63B5 |
| | 71 | 3 | 71B5 |
| | 80 | 3 | 80B5 |

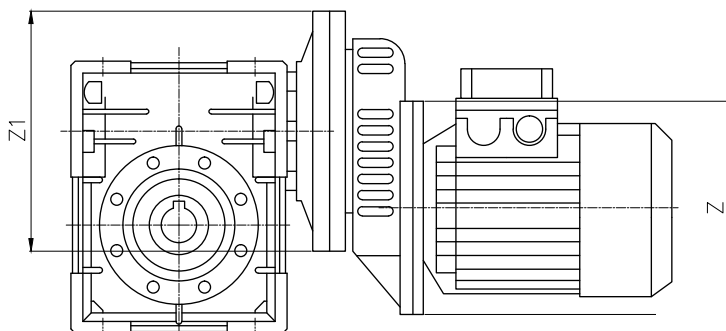
| | Z | Z1 |
|---------|--------|--------|
| BVPC 63 | 11/140 | 11/105 |
| BVPC 71 | 14/160 | 14/120 |
| BVPC 80 | 19/200 | 19/160 |



Esempio di chiave del prodotto: BVPC 80/090 168 80B5 B3



Exemplo de chave de produto: BVPC 80/090 168 80B5 B3



Data Sheet

BV Series - BVPC Type - 71

| Type | i-ratio | n2 r/min | Kw=P1 | Nm=T2 |
|-------------|---------|----------|-------|-------|
| BVPC 63/040 | 105 | 13.3 | 0.12 | 42 |
| | 138 | 10.1 | 0.12 | 42 |
| | 180 | 7.8 | 0.12 | 46 |
| | 210 | 6.7 | 0.12 | 40 |
| | 300 | 4.7 | 0.12 | 36 |

| Type | i-ratio | n2 r/min | Kw=P1 | Nm=T2 |
|-------------|---------|----------|-------|-------|
| BVPC 63/050 | 108 | 12.9 | 0.18 | 72 |
| | 135 | 10.4 | 0.18 | 85 |
| | 180 | 7.8 | 0.12 | 65 |
| | 210 | 6.7 | 0.12 | 67 |
| | 240 | 5.8 | 0.12 | 58 |
| | 300 | 4.7 | 0.12 | 58 |

| Type | i-ratio | n2 r/min | Kw=P1 | Nm=T2 |
|-------------|---------|----------|-------|-------|
| BVPC 71/050 | 84 | 16.7 | 0.25 | 80 |
| | 108 | 12.9 | 0.25 | 90 |
| | 135 | 10.4 | 0.25 | 90 |

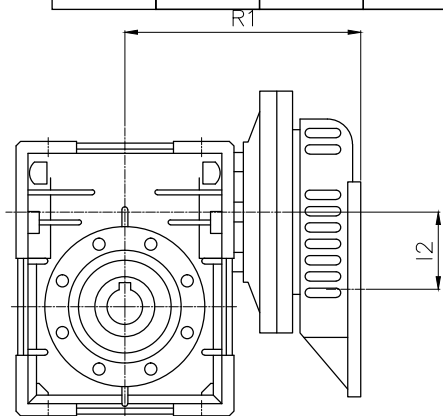
| Type | i-ratio | n2 r/min | Kw=P1 | Nm=T2 |
|-------------|---------|----------|-------|-------|
| BVPC 71/063 | 114 | 12.3 | 0.37 | 170 |
| | 135 | 10.4 | 0.37 | 176 |
| | 192 | 7.3 | 0.25 | 149 |
| | 240 | 5.8 | 0.25 | 130 |
| | 300 | 4.7 | 0.25 | 120 |

| Type | i-ratio | n2 r/min | Kw=P1 | Nm=T2 |
|-------------|---------|----------|-------|-------|
| BVPC 71/075 | 120 | 11.7 | 0.55 | 280 |
| | 150 | 9.3 | 0.37 | 215 |
| | 180 | 7.8 | 0.37 | 235 |
| | 240 | 5.8 | 0.37 | 210 |
| | 300 | 4.7 | 0.25 | 275 |

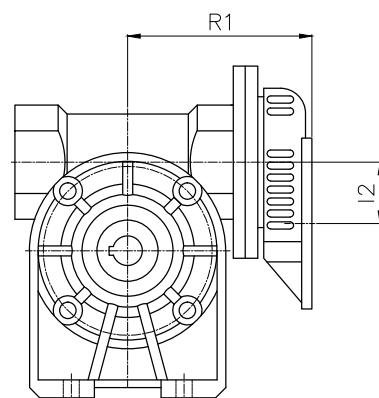
| Type | i-ratio | n2 r/min | Kw=P1 | Nm=T2 |
|-------------|---------|----------|-------|-------|
| BVPC 80/075 | 90 | 15.6 | 0.75 | 310 |
| | 120 | 11.7 | 0.75 | 300 |
| | 150 | 9.3 | 0.75 | 260 |

| Type | i-ratio | n2 r/min | Kw=P1 | Nm=T2 |
|-------------|---------|----------|-------|-------|
| BVPC 71/090 | 168 | 8.3 | 0.55 | 350 |
| | 192 | 7.3 | 0.37 | 280 |
| | 240 | 5.8 | 0.37 | 290 |
| | 300 | 4.7 | 0.37 | 275 |

| Type | i-ratio | n2 r/min | Kw=P1 | Nm=T2 |
|-------------|---------|----------|-------|-------|
| BVPC 80/090 | 120 | 11.7 | 0.75 | 390 |
| | 138 | 10.1 | 0.75 | 360 |
| | 168 | 8.3 | 0.55 | 350 |
| | 192 | 7.3 | 0.55 | 330 |
| | 240 | 5.8 | 0.55 | 305 |



BVPC 063-075-090



BVPC 040-050

| BVPC | R1 | l2 |
|--------|-----|----|
| 63/040 | 115 | 40 |
| 63/050 | 120 | 40 |
| 71/050 | 129 | 50 |
| 71/063 | 160 | 50 |
| 71/075 | 183 | 50 |
| 80/075 | 203 | 63 |
| 71/090 | 194 | 50 |
| 80/090 | 214 | 63 |

